

Please wait for menu to be constructed

Drop Connectors & Accessories

Snap-N-Seal® "F" Series Male Environmentally Sealed Connectors

Snap-N-Seal® "F" Male, Environmentally Sealed Connectors For RG7 And RG11 Cables

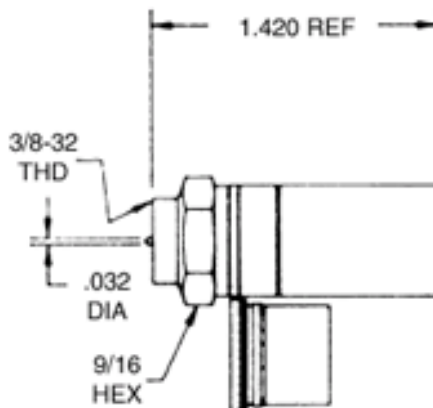


FIG. C

Dimension Information In F.P.S (U.S)

[Display in metric standards \(C.G.S\)](#)

Catalog No	Fig.	Post I.D. (In.)	Sleeve I.D. (In.)	Return Loss	Insertion Loss	Rfi	Description
SNS11AS	C	0.295	0.415	-30dB	-.2dB	-95dB	'F' Auto Seize Connector for Series 11 cable

[Tools Used](#)

[Installation Procedure](#)

Packaging Information

Catalog#	Unit Quantity	Standard Quantity Package	Weight (lbs.)	Weight UOM

SNS11AS	36	432	6.050	Per 100
----------------	----	-----	-------	---------

[Smart Search Results](#) [View Product Category](#)

[Print Back](#)